

2X STAND ADAPTORS
4X POZI SCREWS
8X OPTIONAL RUBBER FEET

rega
MADE IN ENGLAND



For user instructions in your language, please visit www.rega.co.uk and go to the download section of your chosen product page.

Pour obtenir les instructions aux utilisateurs dans votre langue, veuillez visiter www.rega.co.uk et vous rendre dans la section téléchargement de la page de votre produit choisi.

Eine Gebrauchsanleitung in Ihrer Sprache finden Sie auf www.rega.co.uk im Download-Bereich der Seite zu dem von Ihnen gewählten Produkt.

Puoi trovare le istruzioni d'uso su www.rega.co.uk cliccando sulla sezione Download della pagina del prodotto scelto.

Para encontrar las instrucciones de usuario en su idioma, visite www.rega.co.uk y en la sección de descargas encontrará el producto que ha elegido.

Para instruções do utilizador no seu idioma, visite www.rega.co.uk e entre na secção de transferências da página do produto escolhido.

Ga voor verdere instructies in uw taal naar www.rega.co.uk en vervolgens naar de downloadsectie van de productpagina van uw keuze.

Find brugsvejledningen på dit sprog ved at gå til www.rega.co.uk og fortsætte til downloadafsnittet på siden for det produkt, du har valgt.

För bruksanvisning på ditt språk, besök www.rega.co.uk och gå till nedladdningssektionen på din valda produktsida.

Instrukcje użytkowania w danym języku są dostępne na stronie www.rega.co.uk, gdzie można ściągnąć część strony, której dotyczy wybrany produkt.

ASSEMBLY

Using the four Pozi screws supplied, simply hand tighten two screws through each of the stand adaptors into the corresponding threaded holes on the back of the speaker (as shown in the diagram). To ensure the stand adaptor is aligned correctly, place the speaker, with foot attached, on a flat surface before fully tightening to ensure the speaker will sit level in its final position.

IMPORTANT: NEVER place the speaker face down when fitting the feet, to avoid damage to the drive units.

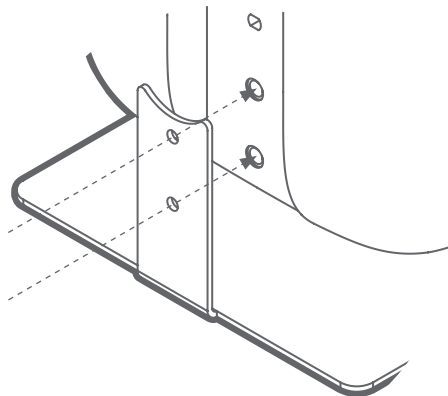
POSITIONING

The KYTE stand adaptor now allows the use of third-party speaker stands. Imaging and bass response can be tuned by adjusting the distance of the speaker from the rear and side walls. As with all loudspeakers, this will be dependent on the size of room, flooring and furnishings therefore some simple experiments trying different distances will help optimise the performance to your surroundings. In general, more bass is produced if the cabinet is positioned closer to a structural wall.

ADAPTOR FEET (INCLUDED)

Your stand adaptor includes two rubber feet, factory fitted to the top of each base.

Also included are four optional feet for each adaptor to fit to the bottom of each base, allowing you to adjust them to your stand.





www.rega.co.uk

Rega Research Ltd.
6 Coopers Way
Temple Farm Industrial Estate
Southend-on-Sea, Essex
SS2 5TE

KYTE STAND ADAPTOR
User Manual v1

MADE IN ENGLAND
SINCE 1973